



DSC DUCTILE IRON & CAST STEEL FLOAT TYPE AIR TRAPS

No.F2A ~ FSH12A SERIES

MOP 32K



- DSC FLOAT TYPE AIR TRAPS ARE DESIGNED TO DISCHARGE CONDENSED WATER FROM COMPRESSED AIR SYSTEM OR GAS SYSTEM WHERE OIL IS NOT PRESENT.
- BALANCE LINE SHOULD CONNECT TO DOWNSTREAM OR VENT TO TANK IN ORDER TO AVOID AIR LOCK.
- SEAT AND VALVE LOCATE BELOW WATER SEAL, NO AIR LEAKAGE DURING OPERATION.
- STRAINERS ARE NECESSARY TO PUT AHEAD OF AIR TRAP.
- ALL PARTS ARE REPLACEABLE.
- TWO YEAR WARRANT AGAINST PARTS WEAR OUT.

WATER DISCHARGE CAPACITY IN KG/HR.

TRAP No.		$\Delta P, \text{KG/CM}^2$						
		2K	5K	9K	12.5K	17K	20K	30K
F2A	F2FA	2200	1600	1200	1100			
F5A	F5FA	2400	2200	2000	1900	1400		
F6A	F6FA	4200	4100	4050	3800	3700		
F8A	F8FA	9000	8900	8700	8600	8200		
F08A	F08FA	18000	17600	17400	17000	16800		
F12A	F12FA	76000	100000	130000	165000	185000		
FS2A	FS2FA	2000	1600	1200	1100	800		
FS5A	FS5FA	2200	2000	1800	1700	1400	1300	1200
FS6A	FS6FA	4200	4100	4050	3800	3700	3500	3200
FS8A	FS8FA	9000	8900	8700	8600	8200	8000	7600
FS08A	FS08FA	18000	17600	17400	17000	16800	15500	15000
FSH12A	FSH12FA	76000	100000	130000	165000	185000	205000	220000

CONSTRUCTION OF MATERIALS

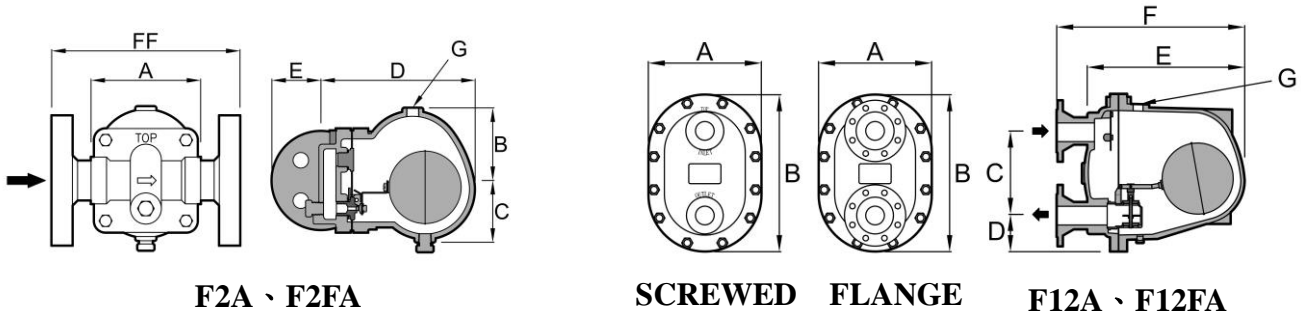
CAP & BODY	F SERIES	CAST IRON FC22
	FS SERIES	ASTM A216 WCB
FLOAT		S.S.304
MECHANISM		S.S.304
GASKET		COMPRESSED NON-ASBESTOS
BOLTS & NUTS	F SERIES	CARBON STEEL
	FS SERIES	A193 - B7 & A194 - 2H



DSC DUCTILE IRON & CAST STEEL FLOAT TYPE AIR TRAPS

No.F2A ~ FSH12A SERIES

MOP 32K



No.F2A、F2FA SERIES DIMENSIONS(MM). MOP(KG/CM²). WT(KG)

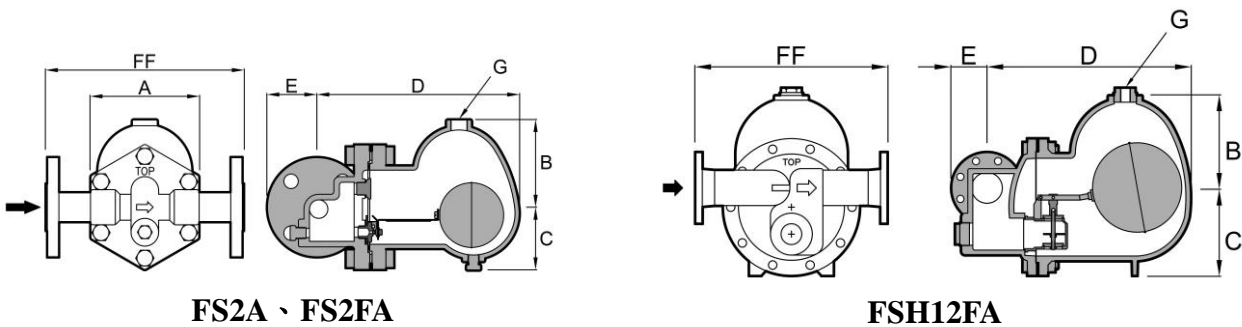
No.	CONN.SE*	A	FF	B	C	D	E/F	G	MOP	WT.
F2A、F2FA	15.20.25	106	180	70	60	149	23	15	12.5	4.5
F5A、F5FA	15.20.25	106	180	80	67	190	25	15	17	7
F6A、F6FA	32.40	138	208	100	66	210	36	15	17	11
F8A、F8FA	40.50	199	265	100	90	300	69	15	17	18
F08A、F08FA	40.50	199	265	176	101	349	69	15	17	25
F12A、F12FA	80.100	375		500	285	105	530/650	25	17	90

* NPT. BSPT AVAILABLE.

* DIN. JIS FLANGE STANDARD. OTHER SPEC. CONSULT FACTORY.

* "G" BALANCE LINE.

* F12A ONLY HAVE 80 SCREWED.



No.FS2A、FS2FA SERIES

No.	CONN.FE*	A	FF	B	C	D	E	G	MOP	WT.
FS2A、FS2FA	15.20.25	118	215	68	68	174	20	15	17	6.5
FS5A、FS5FA	15.20.25	118	215	92	68	201	20	15	32	9
FS6A、FS6FA	32.40	146	285	100	85	242	40	15	32	20
FS8A、FS8FA	40.50	190	310	120	103	289	40	15	32	28.5
FS08A、FS08FA	40.50	190	310	170	103	352	43	15	32	34
FSH12FA	80.100		500	275	225	408	103	25	32	100

* NPT. BSPT. SW AVAILABLE.

* DIN FLANGE STANDARD. OTHER SPEC. CONSULT FACTORY.

* "G" BALANCE LINE.